

Designer Classics

at Lillian August

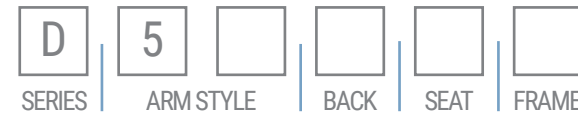
AVAILABLE STYLES

DESIGNER CLASSICS STANDARDS

Loose Pillow Back
Height: 35"
Arm Height: 23"
Overall Depth: 39"

Seat Height: 18"
Seat Depth: 21"
Tufted Back, Tight Seat"
20 x 20"

It's easy to order your own custom upholstered pieces. Just follow this illustration & fill in the appropriate box with the chosen letters.



STEP 1 - SELECT ARM STYLE



51 = SCROLL ARM 52 = TRACK ARM 53 = KEY ARM

STEP 2 - SELECT BACK



2 = TWO CUSHIONS (STANDARD) 3 = THREE CUSHIONS

STEP 3 - SELECT SEATS



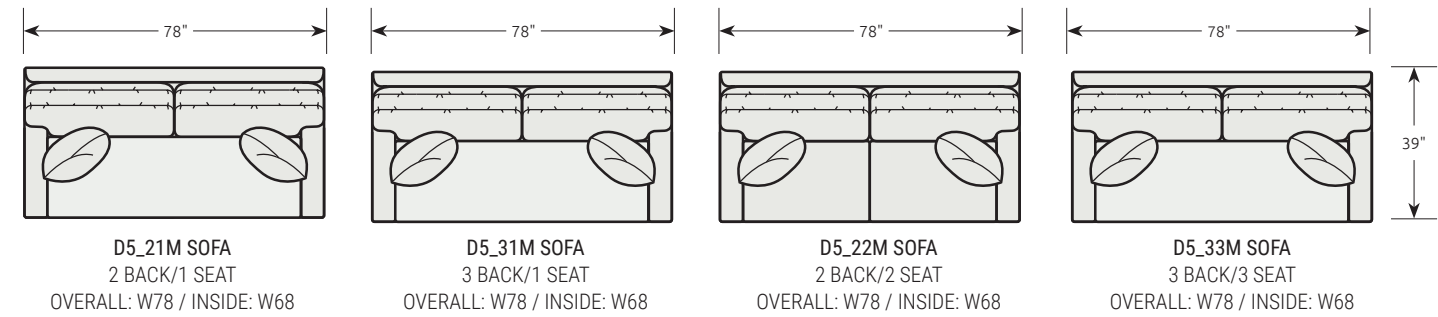
1 = ONE CUSHION 2 = TWO CUSHIONS 3 = THREE CUSHIONS

STEP 4 - SELECT FRAME

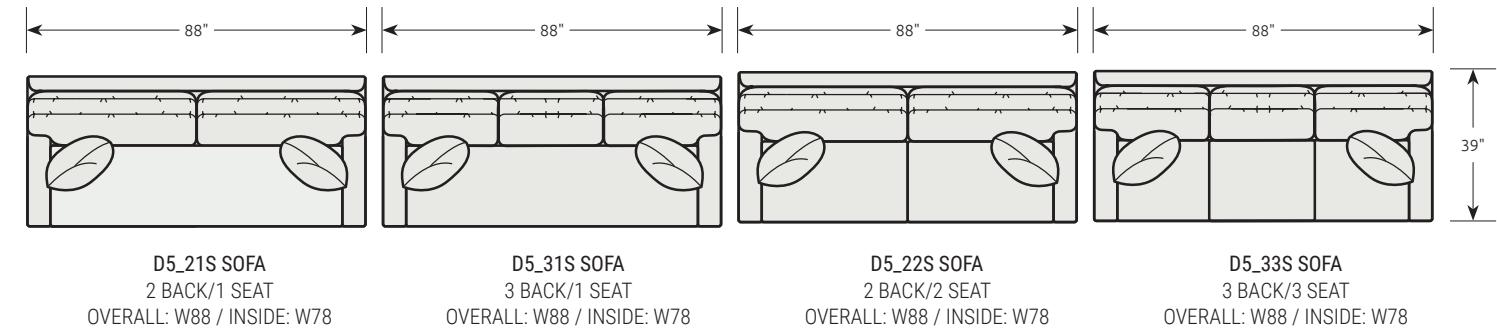


M = 78" LENGTH S = 88" LENGTH 01C = CHAIR OT = OTTOMAN

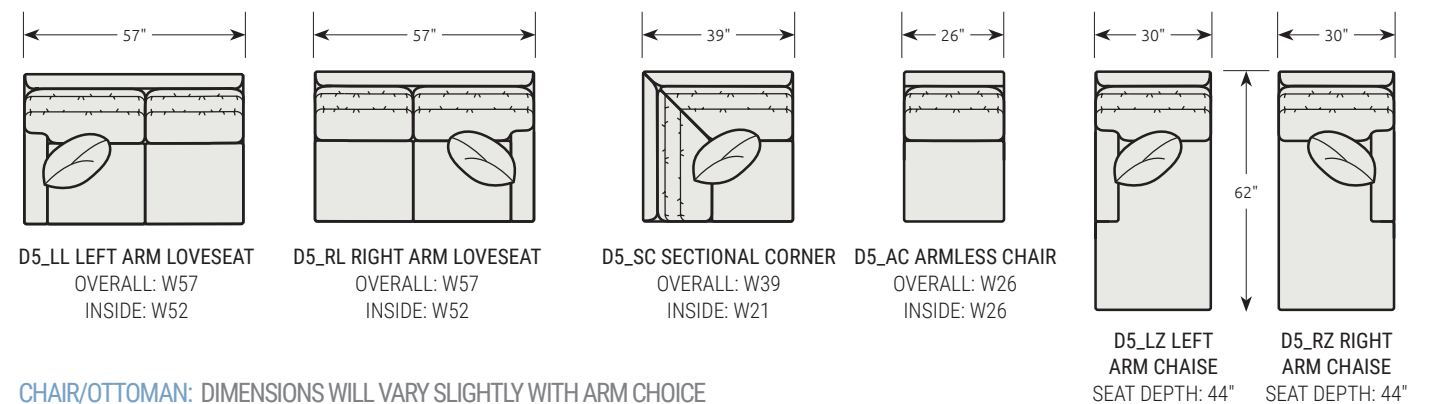
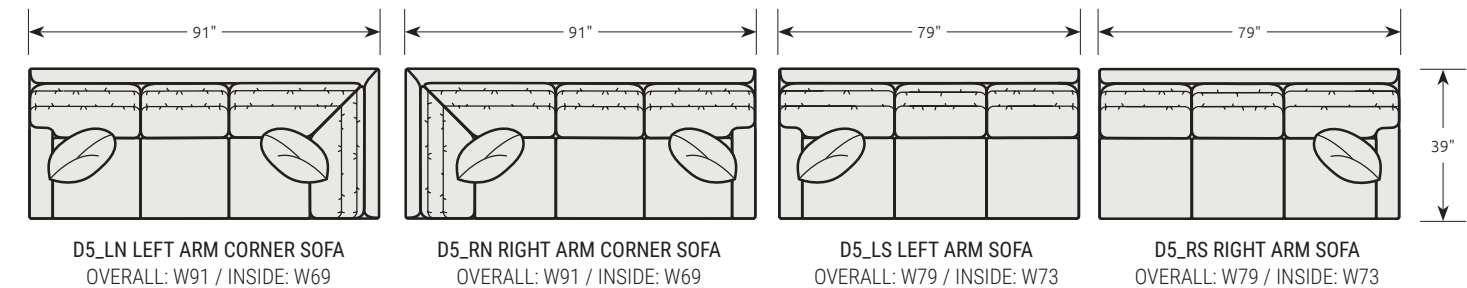
M= MID SOFA OVERALL WIDTH = 78" / INSIDE = 68" DIMENSIONS WILL VARY SLIGHTLY WITH ARM CHOICE



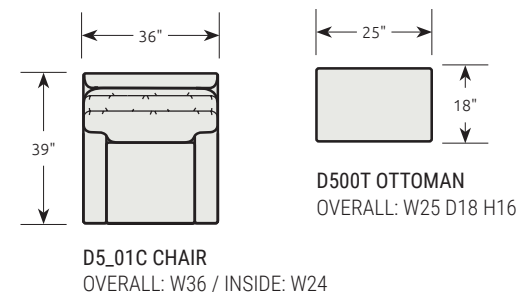
S= SOFA OVERALL WIDTH = 88" / INSIDE = 78" DIMENSIONS WILL VARY SLIGHTLY WITH ARM CHOICE



SECTIONAL STYLES: DIMENSIONS WILL VARY SLIGHTLY WITH ARM CHOICE



CHAIR/OTTOMAN: DIMENSIONS WILL VARY SLIGHTLY WITH ARM CHOICE



NOTE: Dimensions will vary slightly with arm choice. Ultra down cushion is standard cushion for seats & backs. Sectional sofas standard with 3 seat cushions. Sectional Loveseats standard with 2 seat cushions. *1 - Piece Bench Seat cushions are available on Sectionals at N/C. Must be specified on order as "Special 1-Piece Bench Seat Cushion". Sectional Back Cushions are available only as shown. Standard Finish: Antique Walnut Throw Pillows: Standard as shown above on Sofas & Sectional pieces.

Designer Classics

Sample Configurations

D5133S Designer Classics Scroll Arm Sofa

D=Designer Classics
51= Scroll Arm Style
3= Three Back Cushions
3= Three Seat Cushions
S= 88" Sofa

90w 39d 35h
Inside: 78w 21d 18h
Arm Height: 23 Seat Height: 18
Loose Pillow Back
Standard Pillows : Two 21" Throw Pillows
*Note: Key Arm & Scroll Arm Add 2" To Overall Width



D5222S Designer Classics Track Arm Sofa

D=Designer Classics
52= Track Arm Style
2= Two Back Cushions
2= Two Seat Cushions
S= 88" Sofa

88w 39d 35h
Inside: 78w 21d 18h
Arm Height: 23 Seat Height: 18
Inside Seat Depth: 21
Loose Pillow Back
Standard With Two 21" Throw Pillows



D5331M Designer Classics Key Arm Sofa

D=Designer Classics
53= Key Arm Style
3= Three Back Cushions
1= One Seat Cushions
M= 78" Sofa

80w 39d 35h
Inside: 58w 21d 18h
Arm Height: 23 Seat Height: 18
Loose Pillow Back
Standard With Two 21" Throw Pillows
*Note: Key Arm & Scroll Arm Add 2" To Overall Width



Note: Designer Classic Sectional Sofas are standard with 3 Seat Cushions.
*The Sectional pieces shown above are shown with special 1-Piece Bench Seat Cushion.

D51 Designer Classics Sectional

D51LS Left Arm Sofa

80w 39d 35h
Inside: 73w 21d 18h
Loose Pillow Back
Standard With Two 21" Throw Pillows

D51RN Right Arm Corner Sofa

92w 39d 35h
Inside: 69w 21d 18h
Arm Height: 23 Seat Height: 18
Standard With Two 20" Throw Pillows
Optional Finish Shown: Wishbone



D5201C Designer Classics Track Arm Chair

D= Designer Classics
52= Track Arm Style
1C= Chair

36w 39d 35h
Inside: 24w 21d 18h
Arm Height: 23 Seat Height: 18



D500T Designer Classics Ottoman

D= Designer Classics
50= No Arm
OT= Ottoman

25w 18d 16h